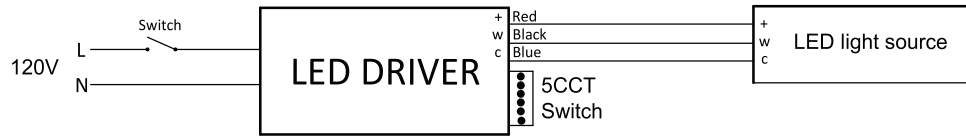
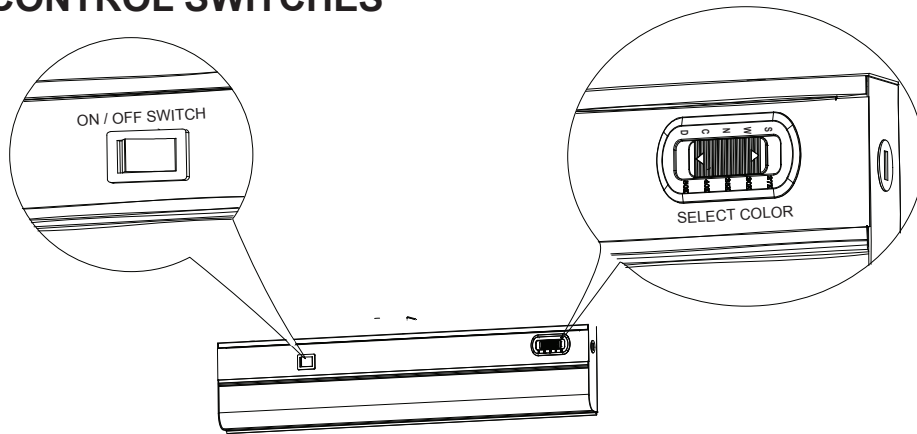


WIRING DIAGRAM



CONTROL SWITCHES



The following dimmers have been tested to be best suitable for use with this product:

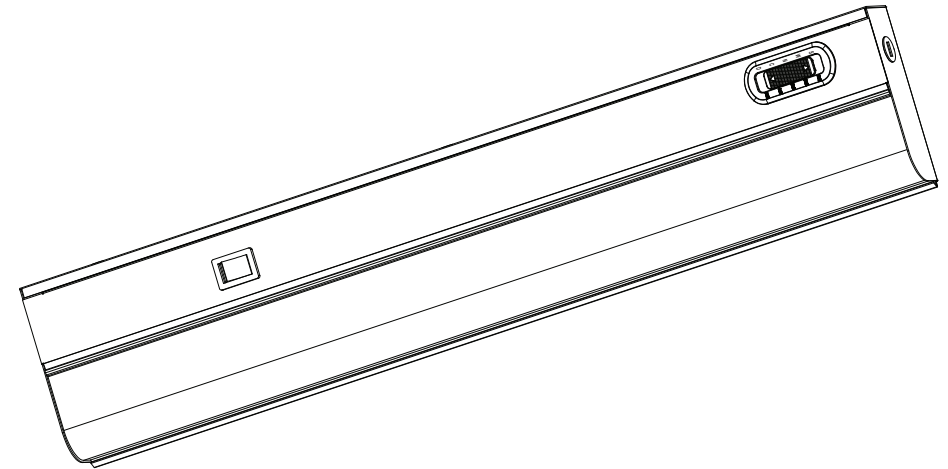
LUTRON Model No. DVELV-300P

LEVITON Model No. DSE06-10Z

Product is not compatible with dimmers for LED, CFL, Halogen or Incandescent bulbs or Magnetic Low dimmers or 0-10V Analog dimmers.

INSTALLATION INSTRUCTIONS

Undercabinet LED Luminaire



IMPORTANT: READ CAREFULLY BEFORE INSTALLATION AND RETAIN FOR FUTURE REFERENCE.

- TO REDUCE THE RISK OF DEATH, PERSONAL INJURY OR PROPERTY DAMAGE FROM FIRE, ELECTRIC SHOCK, FALLING PARTS, CUTS/ ABRASIONS, AND OTHER HAZARDS READ ALL WARNINGS AND INSTRUCTIONS INCLUDED WITH AND ON THE THE FIXTURE BOX AND ALL FIXTURE LABELS.
- BEFORE INSTALLING, SERVICING, OR PERFORMING ROUTINE MAINTENANCE UPON THIS EQUIPMENT, FOLLOW THESE GENERAL PRECAUTIONS.
- COMMERCIAL INSTALLATION, SERVICE AND MAINTENANCE OF LUMINAIRES SHOULD BE PERFORMED BY A QUALIFIED LICENSED ELECTRICIAN.
- FOR RESIDENTIAL INSTALLATION: IF YOU ARE UNSURE ABOUT THE INSTALLATION OR MAINTENANCE OF THE LUMINAIRES, CONSULT A QUALIFIED LICENSED ELECTRICIAN AND CHECK YOUR LOCAL ELECTRICAL CODE.
- DO NOT INSTALL DAMAGED PRODUCT!
- THIS FIXTURE SHOULD NOT BE USED IN AREAS WITH LIMITED VENTILATION OR HIGH AMBIENT TEMPERATURES.
- THESE INSTRUCTIONS DO NOT PURPORT TO COVER ALL DETAILS OR VARIATIONS IN EQUIPMENT NOR TO PROVIDE EVERY POSSIBLE CONTINGENCY TO MEET IN CONNECTION WITH INSTALLATION, OPERATION, OR MAINTENANCE.

WARNING:

RISK OF ELECTRICAL SHOCK

- TURN OFF ELECTRICAL POWER AT FUSE OR CIRCUIT BREAKER BOX BEFORE WIRING FIXTURE TO THE POWER SUPPLY.
- TURN OFF THE POWER WHEN YOU PERFORM ANY MAINTENANCE.
- VERIFY THAT SUPPLY VOLTAGE IS CORRECT BY COMPARING IT WITH THE LUMINAIRE LABEL INFORMATION.
- MAKE ALL ELECTRICAL AND GROUNDED CONNECTIONS IN ACCORDANCE WITH THE NATIONAL ELECTRICAL CODE AND ANY APPLICABLE LOCAL CODE REQUIREMENTS.
- ALL WIRING CONNECTIONS SHOULD BE CAPPED WITH UL APPROVED WIRE CONNECTORS.

CAUTION: RISK OF INJURY

- WEAR GLOVES AND SAFETY GLASSES AT ALL TIMES WHEN REMOVING LUMINAIRE FROM CARTON, INSTALLING, SERVICING OR PERFORMING MAINTENANCE.
- AVOID DIRECT EYE EXPOSURE TO THE LIGHT SOURCE WHILE IT IS ON.
- ACCOUNT FOR SMALL PARTS AND DESTROY PACKING MATERIAL, AS THESE MAY BE HAZARDOUS TO CHILDREN.

WARNING: RISK OF BURN

- ALLOW FIXTURE TO COOL BEFORE HANDLING. DO NOT TOUCH ENCLOSURE OR LIGHT SOURCE.

CAUTION: RISK OF FIRE

- KEEP COMBUSTIBLE AND OTHER MATERIALS THAT CAN BURN AWAY FROM LUMINAIRE AND LAMP/LENS.
- MINIMUM 90° C SUPPLY CONDUCTORS.

PREPARING THE FIXTURE FOR INSTALLATION

1. CAREFULLY REMOVE DIFFUSER BY SQUEEZING (BACK) EDGE WITH FOREFINGERS WHILE HOLDING FRONT SIDE WITH THUMBS. SEE FIG 1.

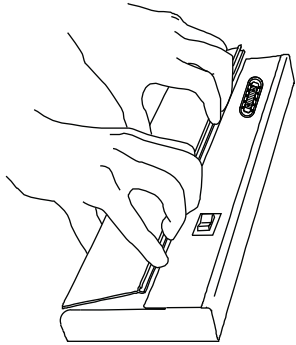


Fig.1

2. OPEN WIREWAY COVER BY GENTLY PRESSING INWARD TO RELEASE COVER FROM THUMBNAILED LANCES ON HOUSING. SEE FIG 2

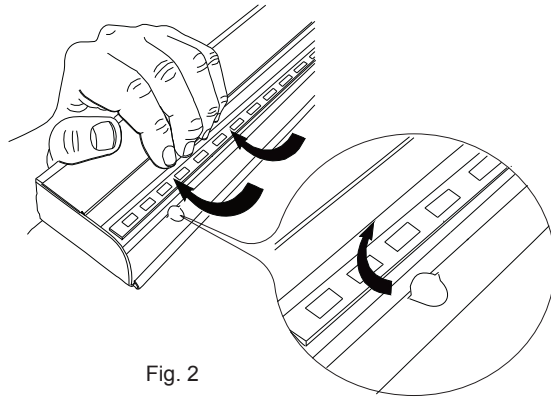
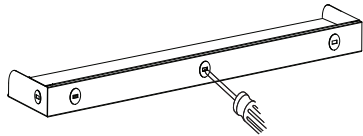


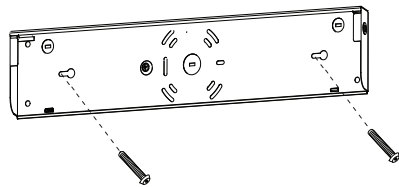
Fig. 2

INSTALLATION OF FIXTURE DIRECT-WIRE METHOD

1. REMOVE THE KNOCK-OUT THAT IS NEAREST THE LOCATION OF INCOMING POWER WIRES.



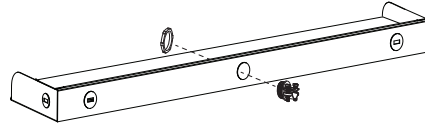
3. SECURE FIXTURE ON THE DESIRED LOCATION USING ADEQUATE SCREWS



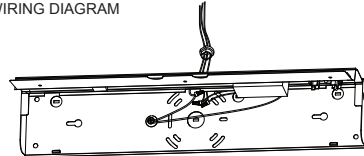
5. REATTACHED WIREWAY COVER AND DIFFUSER AND SELECT DESIRED LIGHT COLOR



2. MOUNT AND SECURE THE ROMEX STRAIN RELIEF TO THE FIXTURE HOUSING. LEAVE STRAIN RELIEF SCREWS LOOSE



4. MAKE WIRING CONNECTION ACCORDING WITH WIRING DIAGRAM



PREPARING THE FIXTURE FOR INSTALLATION

1. CAREFULLY REMOVE DIFFUSER BY SQUEEZING (BACK) EDGE WITH FOREFINGERS WHILE HOLDING FRONT SIDE WITH THUMBS. SEE FIG 1.

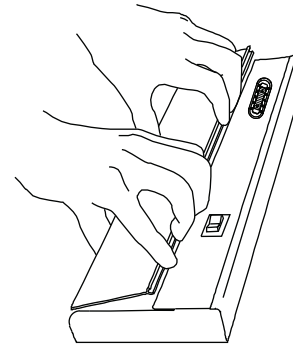


Fig.1

2. OPEN WIREWAY COVER BY GENTLY PRESSING INWARD TO RELEASE COVER FROM THUMBNAILED LANCES ON HOUSING. SEE FIG 2

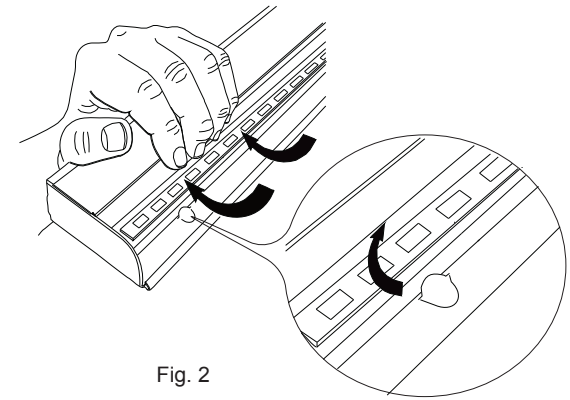
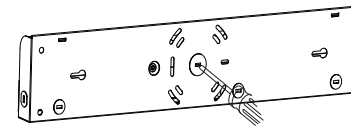


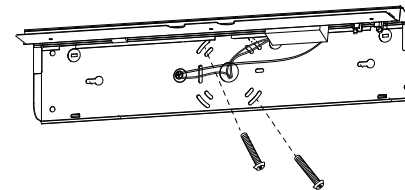
Fig. 2

INSTALLATION OF FIXTURE ON A JUNCTION BOX METHOD

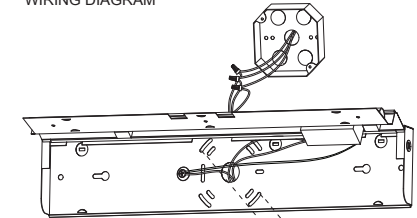
1. REMOVE THE CENTER KNOCK-OUT.



3. SECURE FIXTURE ON THE JUNCTION BOX USING ADEQUATE SCREWS



2. MAKE WIRING CONNECTION ACCORDING WITH WIRING DIAGRAM



4. REATTACHED WIREWAY COVER AND DIFFUSER AND SELECT DESIRED LIGHT COLOR

