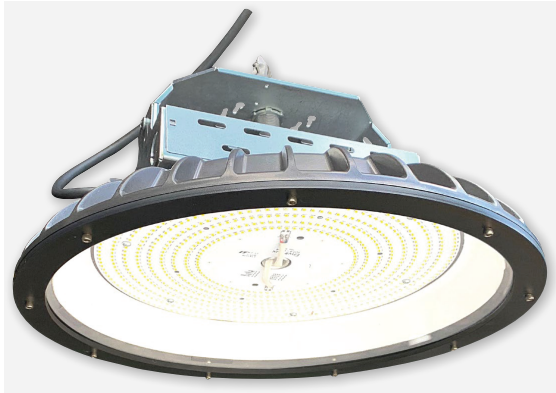




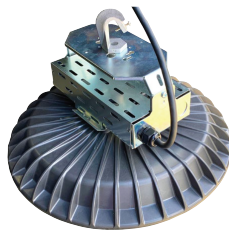
L70
25°C 158,000 Hours



Shown with Polycarbonate Clear Flat Lens



Shown with Polycarbonate Frosted Drop Lens



Top View

FEATURES

Housing:

Thermally Conductive Polycarbonate Housing. Zinc Plated Driver/Mounting Yoke. Passive Heat Management

Listing & Ratings:

ETL: Listed for Damp Locations, ANSI/UL 1598, 8750. IP65 sealed LED compartment.

Finish:

Charcoal colored Thermally Conductive Polycarbonate smooth finish.

Lens:

UV-Stabilized Flat or Drop Polycarbonate Lens, available clear or frosted for glare reduction.

Mounting Options:

Mount with Included Die Cast Aluminum Hook with locking screw.

LED Light Engine:

Silicone Coated Aluminum Core LED Array Boards - Water and Humidity Proof – Made in USA

Driver:

Electronic Driver, 120-277V, 50/60Hz or 347-480V, 50/60Hz; Less Than 20% THD and PF>0.90. Standard Internal Surge Protection 6kV. 0-10V Dimming Standard for a Dimming Range of 100% to 10%; Dimming Source Current is 150 Microamps.

Controls:

Fixtures Ordered with Factory-Installed Photocell or Motion Sensor Controls are Internally Wired for Switching and/or 1-10V Dimming Within the Housing. Please consult factory for remote direct wired interface of 1-10V Dimming, fixtures are not wired for remote control connection standard and may not be available in this configuration. Fixtures are NOT designed for use with line voltage dimmers.

Warranty:

5-Year Warranty for -40°C to +40°C Environment

PRODUCT DESCRIPTION

The USAHBCR Round LED Composite 18" Diameter High Bay is available with a choice of two lens options in clear or frosted polycarbonate designed for uniform general lighting. Applications include warehouses, manufacturing facilities, gymnasiums, indoor sports facilities, and retail stores. Suitable for 16-to-30-foot mounting heights based on light level and uniformity requirements.

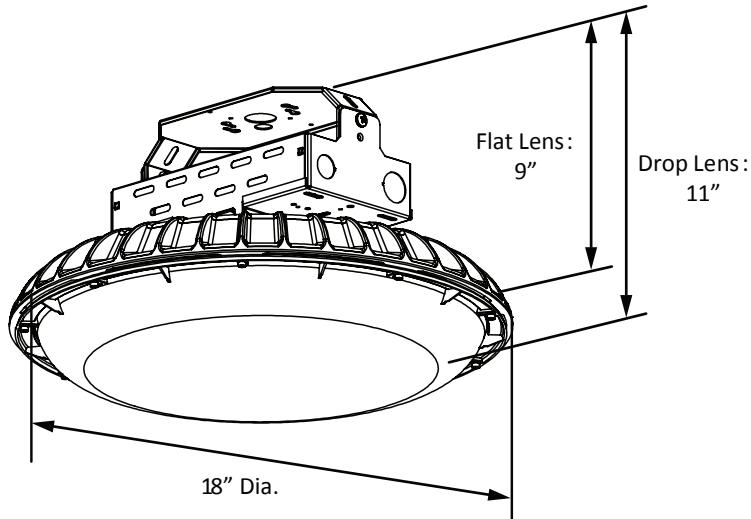
ORDERING INFORMATION

EXAMPLE: USAHBCR-180-U-4K-PDC-HL



Model	Wattage	Driver	CCT	Lens	Mounting	Options
USAHBCR = Round LED Composite High Bay	1X180 = 180w 1X140 = 140w 1X100 = 100w	U=120-277V Non-Dimming	3K =3000K 4K =4000K 5K =5000K	PF =Polycarbonate Flat Frosted PC =Polycarbonate Flat Clear PDF =Polycarbonate Drop Frosted PDC =Polycarbonate Drop Clear	HL = Hook with Locking Screw	S9 = Infrared Sensor for Mounting Heights of 20 Feet or Above.* M9 = Microwave Sensor for Mounting Heights of 20 Feet or Above.* CP6120W = 6' White Cord, 3 Wire, L5-15P Twist-Lock Plug CP6277W = 6' White Cord, 3 Wire, L7-15P Twist-Lock Plug BU40 = 40W Battery Backup Pod* *120-277V Models Only.

DIMENSIONS



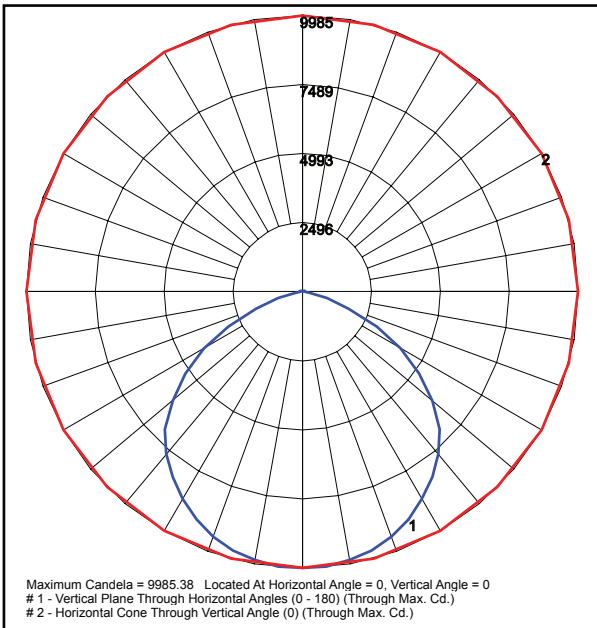
ACCESSORIES & REPLACEMENT PARTS

Accessories
(Order Separately, Field Installed)

CPSC Safety Cable, 3' Steel Cable with Clear Vinyl Coating, Steel Eye & Loop Ends.



PHOTOMETRIC DATA



USAHBCR1X180U5K -
Polycarbonate Clear Flat (PC)
or Clear Drop Lens (PDC)

PHOTOMETRIC PERFORMANCE

		Wattage (Catalog Logic)	100W (1X100)	140W (1X100)	180W (1X140)
		Input Watts	100W	140W	180W
Optic	CCT	Spacing Criteria	Delivered Lumens		
USAHBCR (Clear Flat or Drop Polycarbonate Lens)	3000K	1.32	13,228	20,685	26,458
	4000K	1.32	13,501	21,112	27,002
	5000K	1.32	13,638	21,324	27,275

Note: For Frosted Lens, Use 0.95 LLF.