



ADDITIONAL FEATURES

- Ceiling, pendant and wall-mounting options
- No external fins
- 0-10V dimming driver
- Standard 2kV surge protection
- 5-year warranty

KEY FEATURES

- Compact luminaire with high lumen output
- Rugged 5/32" thick housing
- Glare-reducing frosted globe
- Field replaceable LED circuit boards and drivers
- Protective guard

STANDARD MATERIALS

- Body: A360 aluminum (less than .4% copper content) with baked-on gray epoxy finish
- Guard: A360 aluminum (less than .4% copper content) with baked-on gray epoxy finish
- Gasket: One-piece silicone
- Lens: Borosilicate glass
- Hardware: Stainless steel

ORDERING INFORMATION

ORDERING EXAMPLE: LHZL-20L2-U-HF-G-C

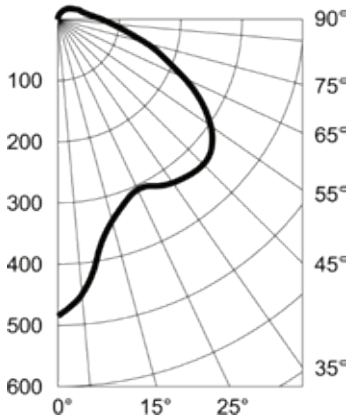


Model	Lamp Wattage & Type	Ballast Voltage	Globe	Guard	Mounting Style	Options
LHZL	20L2 = 20 Watt LED (4000K CCT)	U = 120-277V 50/60 HZ	HF = Heat Resistant Frosted Glass Globe HRG = Heat Resistant Green Glass Globe HRA = Heat Resistant Amber Glass Globe HRB = Heat Resistant Blue Glass Globe HRR = Heat Resistant Red Glass Globe	G = Guard	P = Pendant W = Wall Mount with Box C = Ceiling	30 = 3000K (CCT) 35 = 3500K (CCT) 50 = 5000K (CCT)

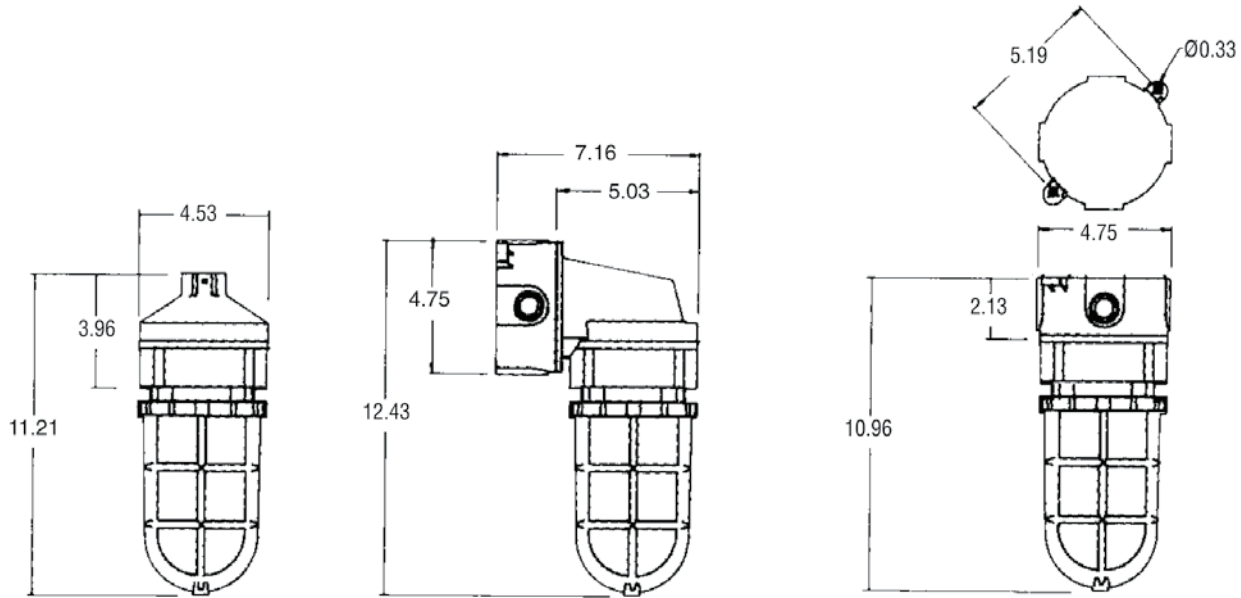
CERTIFICATION GUIDE

Model	Mount	Wattage	Operating Voltage	Total Lumens	Lumens per Watt	CRI	CCT	Ambient Temperature	Class I, Div. 2, Group A, B, C & D	Supply Wire Suitable Temperature °C
LHZL-20L2-U-HF	P, C, W	20W	120V - 277V 50/60 Hz,	1769	87	83	4017	-20°C < Tamb < 50°C	T2D	90°C

PHOTOMETRIC DATA



DIMENSIONS (INCHES)




MOUNTING


Mounting Style	Catalog Number		Shipping Weight (Lbs.)
	Hazardous & Marine Locations UL 844, UL 1598A & UL 1598		
Pendant Mount 	LHZL-20-L2-U-HF-G-P		4.1
Ceiling Mount 	LHZL-20-L2-U-HF-G-C		4.7
Wall Mount 	LHZL-20-L2-U-HF-G-W		5.4

ACCESSORIES

Globe

	Type	Color	Thread Diameter	Catalog Number
	Heat Resistant Tempered Glass	Frosted	3-5/16in.	LHZL-GLOBE

Guard

	Description	Catalog Number
	Cast Aluminum Guard	LHZL-GRD