



Shown with 8 Light Engine  
(220W, 240W and 264W)

### FEATURES

**LED:**

- Conformal Coating LED Light Engine
- CCT: Amber, LPS (1800K), 2200K, 2700K, 3000K, 4000K, 5000K
- Static Colors Available - Contact Factory

**Distribution:**

- Full Cutoff
- Types II, III, IV, V Optics

**Mounting:**

- Side mount arm for pole mounting
- Pole mounting hardware included

**Electrical:**

- Electronic Driver, 120-277V or 347/480V
- 0-10v Dimmable Driver (Dimming leads capped inside housing)
- Standard Surge Protection Included (6kV Line-Line; 10k-V Line-Earth)

**Housing:**

- Formed aluminum with cast aluminum side mount arm.
- Internal extruded aluminum heat sinks for light engines and light engines.
- Housing is welded construction with T3 heat treating before powder coating.

**Finish:**

- Super Durable Polyester Powder Coat Finish. Custom Finishes Available, Including Patinas and All RAL colors.

**Listing & Ratings:**

- ETL: Listed for Wet Locations, ANSI/UL 1598, 8750
- IP66 Sealed LED Compartment.

**Warranty:**

- 5-Year Warranty for -40°C to +50°C Environment.

### PRODUCT DESCRIPTION

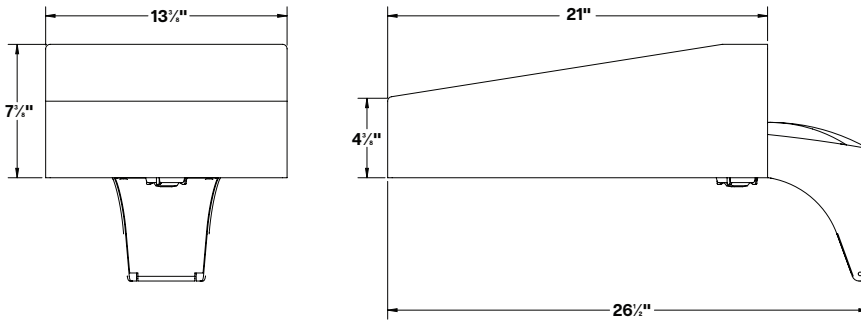
The Made in USA BABA Compliant full cutoff area light side mount is available in 3 wattages offered in Type II Wide narrow, Type III, Type IV or Type V optical distribution that is designed highly uniform lighting. Typical wall mounted lighting applications include retail centers, industrial parks, schools and universities, public transit and airports, office buildings and medical facilities. Mounting heights of 18 to 30 feet can be used based on light level and uniformity requirements.

### ORDERING INFORMATION

EXAMPLE: LA40-264W-5K-U-5-SM-BK

Model	Wattage	CCT	Driver	Optics	Mounting	Options	Finish
LA40 =Liberty LED Full Cutoff Area Light Side Mount Arm	220W =220W 8-Light Engines 240W =240W 8-Light Engines 264W =264W 8-Light Engines	3K=3000K 4K=4000K 5K=5000K	U=120-277V H=347/480V	2=Type II 3=Type III 4=Type IV 5=Type V	SM=Side Mount Arm	SF=Single Fuse DF=Double Fuse SP=Surge Protection PC3=Button Photocell R3=3-Pin Twist Lock Photocell Receptacle R7=7-Pin ANSI C136.41—2013 Twist Lock Photocell Receptacle M4=Motion Sensor IR with Lens, for heights up to 20’* M5=Motion Sensor IR with Lens, for heights up to 40’* HS=House Side Shield  *120-277V Only	BK=Black BZ=Bronze DBZ=Dark Bronze TBZ=Textured Flat Bronze WH=White GR=Green SM=Silver Metallic GY=Light Gray TBK=Textured Black QBK=Textured Flat Black CC=Custom Color (Consult Factory)

DIMENSIONS



MOUNTING ACCESSORIES

Part Number	Description
<b>KH40RPZ</b>	Die-Cast Adaptor for 4" to 6" Round Poles, Bronze Powdercoat Finish.
<b>KH40WMZ</b>	Die-Cast Wall Mount Adaptor, Bronze Powdercoat Finish.



KH40RPZ KH40WMZ

REPLACEMENT PARTS

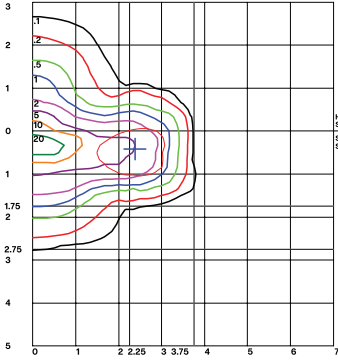
Part Number	Description
<b>P18131</b>	Twist Lock Non-Shorting (Open) Cap Disconnects Service to Fixture for Temporary or Permanent Disabling (Fixture Always Off). IP65, 480V Maximum.
<b>P18132</b>	Twist Lock Shorting Cap Provides Fixed Service to Fixture (Fixture Always on). IP65, Rated Load 7220W Tungsten.
<b>P18140</b>	110-120VAC Instant Twist Lock Photocell
<b>P18152</b>	277VAC Time Delay Twist Lock Photocell
<b>P18156</b>	120-277VAC Universal Twist Lock Photocell
<b>P18103</b>	120-277VAC Universal Photocell
<b>P1816023</b>	Motion Sensor IR with Lens, 120-277V Only, for heights up to 20'
<b>P1816027</b>	Motion Sensor IR with Lens, 120-277V Only, for heights up to 40'
<b>P18160</b>	Motion Sensor IR Control Module, No lens

PHOTOMETRIC PERFORMANCE TABLE

Wattage (Catalog Logic)	264 Watts (264W)	240 Watts (240W)	220 Watts (220W)	
Light Engine Quantity	8	8	8	
Optic	CCT	Delivered Lumens		
2 = Type II Clear PC Lens	<b>3K</b>	31,614	34,487	37,936
	<b>4K</b>	32,906	35,868	39,488
	<b>5K</b>	32,906	35,868	39,488
	<b>BUG Rating</b>	B3-U0-G3	B3-U0-G4	B3-U0-G4
3 = Type III Clear PC Lens	<b>3K</b>	31,787	34,677	38,145
	<b>4K</b>	33,087	36,065	39,705
	<b>5K</b>	33,087	36,065	39,705
	<b>BUG Rating</b>	B3-U0-G3	B4-U0-G4	B4-U0-G4
4 = Type IV Clear PC Lens	<b>3K</b>	31,779	34,668	38,135
	<b>4K</b>	33,078	36,055	39,694
	<b>5K</b>	33,078	36,055	39,694
	<b>BUG Rating</b>	B3-U0-G4	B4-U0-G4	B4-U0-G4
5 = Type V Clear PC Lens	<b>3K</b>	32,407	35,353	38,888
	<b>4K</b>	33,732	36,768	40,479
	<b>5K</b>	33,732	36,768	40,479
	<b>BUG Rating</b>	B5-U0-G4	B5-U0-G4	B0-U0-G0

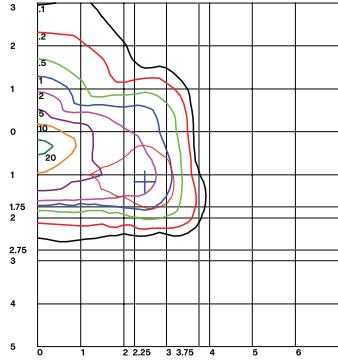
Please refer to the fixture's IES file for detailed information. Subject to change.

**PHOTOMETRIC DATA**



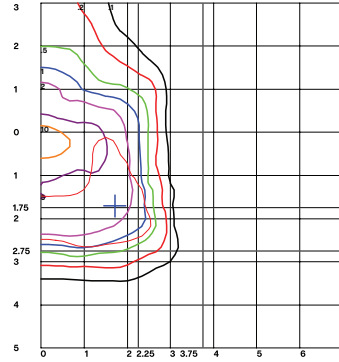
Distance In Units Of Mounting Height  
Values Based On 20 Foot Mounting Height  
1/2 Maximum Candela Trace Shown As Dashed Curve  
(+) - Maximum Candela Point

**LA40264W5KU2**  
**Type II**  
Grid in MH  
MH=20 Feet



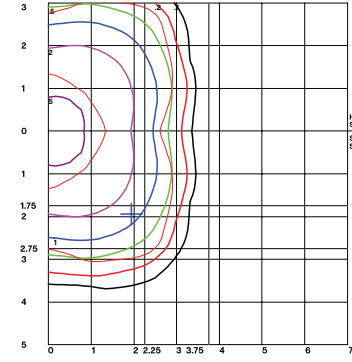
Distance In Units Of Mounting Height  
Values Based On 20 Foot Mounting Height  
1/2 Maximum Candela Trace Shown As Dashed Curve  
(+) - Maximum Candela Point

**LA40264W5KU3**  
**Type III**  
Grid in MH  
MH=20 Feet



Distance In Units Of Mounting Height  
Values Based On 20 Foot Mounting Height  
1/2 Maximum Candela Trace Shown As Dashed Curve  
(+) - Maximum Candela Point

**LA40264W5KU4**  
**Type IV**  
Grid in MH  
MH=20 Feet



Distance In Units Of Mounting Height  
Values Based On 20 Foot Mounting Height  
1/2 Maximum Candela Trace Shown As Dashed Curve  
(+) - Maximum Candela Point

**LA40264W5KU5**  
**Type V**  
Grid in MH  
MH=20 Feet