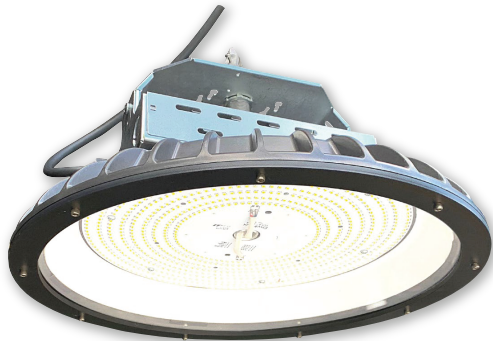




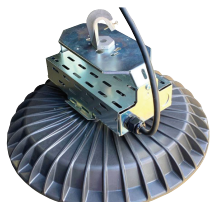
**L70**  
25°C **158,000 Hours**



Shown with Polycarbonate Clear Flat Lens



Shown with Polycarbonate Frosted Drop Lens



Top View

### PRODUCT DESCRIPTION

The USAHBCR Round LED Composite 18" Diameter High Bay is available with a choice of two lens options in clear or frosted polycarbonate designed for uniform general lighting. Applications include warehouses, manufacturing facilities, gymnasiums, indoor sports facilities, and retail stores. Suitable for 16-to-30-foot mounting heights based on light level and uniformity requirements.

### FEATURES

**Housing:** Thermally Conductive Polycarbonate Housing. Zinc Plated Driver/Mounting Yoke. Passive Heat Management

**Listing & Ratings:** ETL: Listed for Damp Locations, ANSI/UL 1598, 8750. IP65 sealed LED compartment.

**Finish:** Charcoal colored Thermally Conductive Polycarbonate smooth finish.

**Lens:** UV-Stabilized Flat or Drop Polycarbonate Lens, available clear or frosted for glare reduction.

**Mounting Options:** Mount with Included Die Cast Aluminum Hook with locking screw.

**LED Light Engine:** Silicone Coated Aluminum Core LED Array Boards - Water and Humidity Proof – Made in USA

**Driver:** Electronic Driver, 120-277V, 50/60Hz or 347-480V, 50/60Hz; Less Than 20% THD and PF>0.90. Standard Internal Surge Protection 6kV. 0-10V Dimming Standard for a Dimming Range of 100% to 10%; Dimming Source Current is 150 Microamps.

**Controls:** Fixtures Ordered with Factory-Installed Photocell or Motion Sensor Controls are Internally Wired for Switching and/or 1-10V Dimming Within the Housing. Please consult factory for remote direct wired interface of 1-10V Dimming, fixtures are not wired for remote control connection standard and may not be available in this configuration. Fixtures are NOT designed for use with line voltage dimmers.

**Warranty:** 5-Year Warranty for -40°C to +40°C Environment.

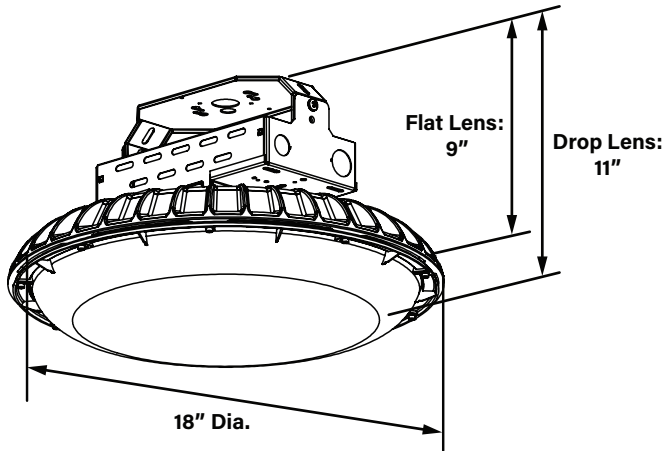
### ORDERING INFORMATION

EXAMPLE: USAHBCR-180-U-4K-PDC-HL



| Model                                 | Wattage                                | Driver                    | CCT                                 | Lens                                                                                                                               | Mounting                    | Options                                                                                                                                                                                                                                                                                                             |
|---------------------------------------|----------------------------------------|---------------------------|-------------------------------------|------------------------------------------------------------------------------------------------------------------------------------|-----------------------------|---------------------------------------------------------------------------------------------------------------------------------------------------------------------------------------------------------------------------------------------------------------------------------------------------------------------|
| USAHBCR= Round LED Composite High Bay | 1X180=180w<br>1X140=140w<br>1X100=100w | U=120-277V<br>Non-Dimming | 3K =3000K<br>4K =4000K<br>5K =5000K | PF =Polycarbonate Flat Frosted<br>PC =Polycarbonate Flat Clear<br>PDF =Polycarbonate Drop Frosted<br>PDC =Polycarbonate Drop Clear | HL =Hook with Locking Screw | S9 =Infrared Sensor for Mounting Heights of 20 Feet or Above.*<br>M9=Microwave Sensor for Mounting Heights of 20 Feet or Above.*<br>CP6120W =6' White Cord, 3 Wire, L5-15P Twist-Lock Plug<br>CP6277W =6' White Cord, 3 Wire, L7-15P Twist-Lock Plug<br>BU40 =40W Battery Backup Pod*<br><br>*120-277V Models Only. |

DIMENSIONS



ACCESSORIES & REPLACEMENT PARTS

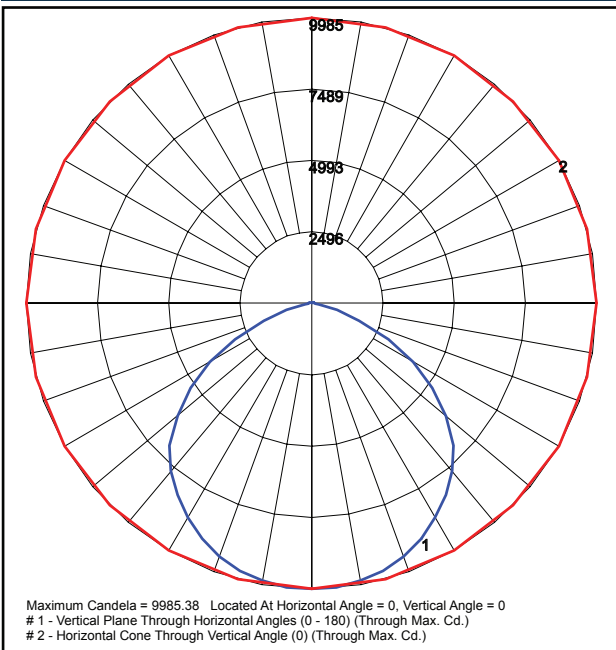
Accessories  
(Order Separately, Field Installed)

CPSC Safety Cable, 3' Steel Cable with Clear Vinyl Coating, Steel Eye & Loop Ends.



CPSC

PHOTOMETRIC DATA



USAHBCR1X180U5K -  
Polycarbonate Clear Flat (PC)  
or Clear Drop Lens (PDC)

PHOTOMETRIC PERFORMANCE

|                                                       |       | Wattage<br>(Catalog Logic) | 100W<br>(1X100)  | 140W<br>(1X100) | 180W<br>(1X140) |
|-------------------------------------------------------|-------|----------------------------|------------------|-----------------|-----------------|
|                                                       |       | Input Watts                | 100W             | 140W            | 180W            |
| Optic                                                 | CCT   | Spacing<br>Criteria        | Delivered Lumens |                 |                 |
| USAHBCR<br>(Clear Flat or Drop<br>Polycarbonate Lens) | 3000K | 1.32                       | 13,228           | 20,685          | 26,458          |
|                                                       | 4000K | 1.32                       | 13,501           | 21,112          | 27,002          |
|                                                       | 5000K | 1.32                       | 13,638           | 21,324          | 27,275          |

Note: For Frosted Lens, Use 0.95 LLF.